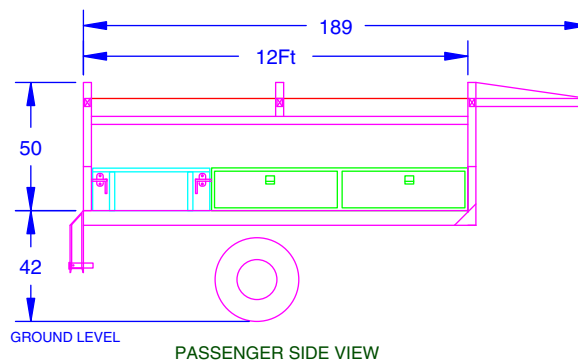
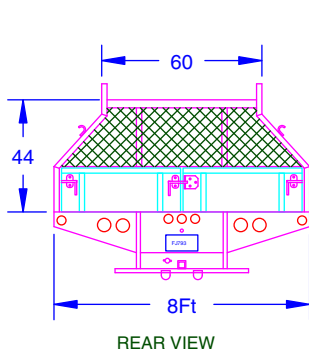
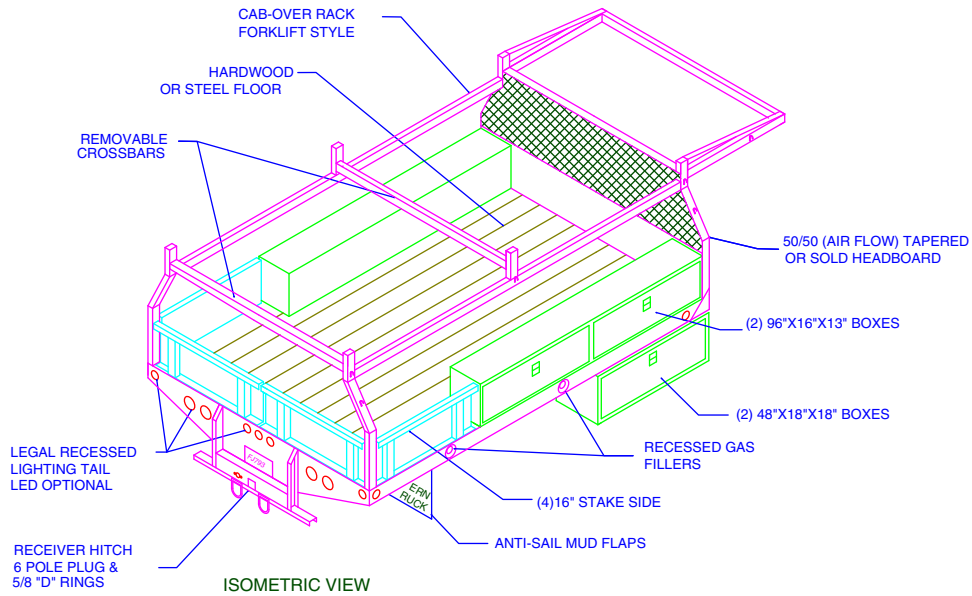




WESTERN TRUCK FAB
 Manufacturers of Truck Bodies & Equipment
 Quality Bodies at Competitive Prices

**12-FT CONTRACTOR FLATBED
 WITH CAB-OVER RACK**



FEATURES

FLATBED

- . 44" TALL STEEL TAPERED HEADBOARD
- . 50/50 (AIR FLOW) OR SOLID OPTIONAL
- . 7/8" HARDWOOD OR STEEL FLOOR OVER PLYWOOD, OPTIONAL
- . 4" CROSSMEMBERS 14" ON CENTER
- . STAKE POCKETS
- . 1/2" ROPE HOOKS UNDER THE BED
- . ICC DOCK BUMPER
- . LEGAL RECESS LIGHTING

ADD-ON

- . 16" REMOVABLE STAKE SIDES
- . MATERIAL OPTIONS: ALUMINUM, METAL OR WOOD, BACKING PLATES AND STAKE LATCHES
- . RECEIVER HITCH WITH "D" RINGS AND SIX POLE ELECTRICAL RECEPTOR
- . TWO 96"X16"X13" TOP MOUNT BOXES
- . TWO 48"X18"X18" UNDER BODY BOXES
- . CAB-OVER MATERIAL RACK 3"X2"X.120 SQUARE TUBE WITH FOUR CROSSBARS, TWO REAR REMOVABLE
- . ALL FEATURES ARE PRIMED AND PAINTED

Western Truck Fab

23285 Connecticut St
 Hayward CA 94545
 TEL: 510-785-9994
 FAX: 510-785-9986

VISIT OUR WEB PAGE

<http://www.westerntruckfab.com>
 e-mail: info@westerntruckfab.com