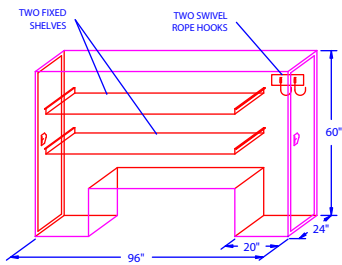


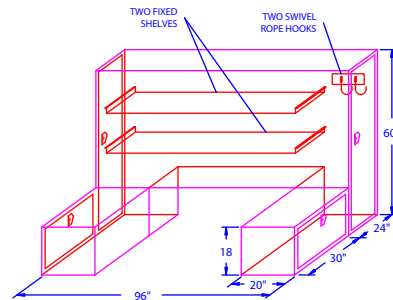


WESTERN TRUCK FAB
 Manufacturers of Truck Bodies & Equipment
 Quality Bodies at Competitive Prices

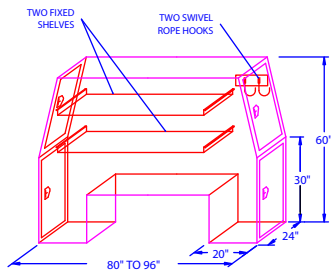
**CUSTOM BOXES
 ISOMETRIC VIEWS**



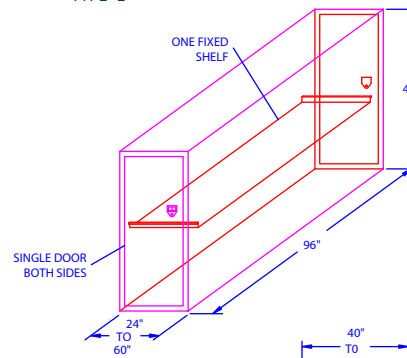
TYPE "H"



TYPE "L"

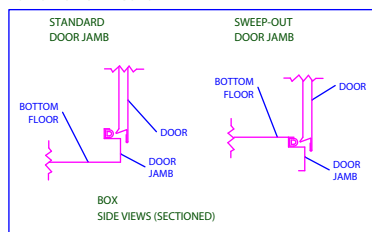


TYPE "A" (TAPERED)



TUNNEL BOX

OPTION FOR TUNNEL BOX ONLY



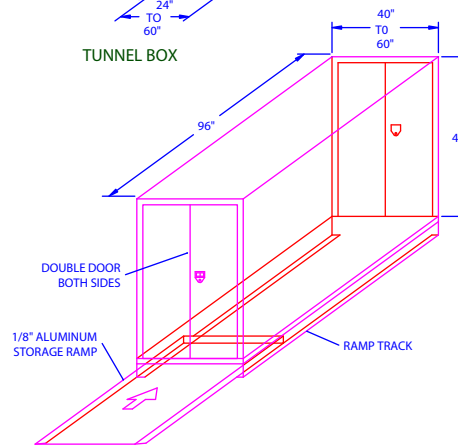
STANDARD FEATURES

BOX

- . CONSTRUCTED OF 14GA GALVANNEAL SHEET
- . 1" SKIP WELD ALL AROUND
- . PRIMED AND PAINTED

DOORS

- . 18GA DOUBLE PANEL CONTRUCTION
- . STAINLESS "T" HANDLE LATCH
- . BARREL KEY LOCKS
- . THREE POINT LATCHING MECHANISM
- . RAIN GUTTERS ABOVE ALL DOORS
- . AUTOMOTIVE TYPE WEATHERSTRIPING



RAMP TUNNEL BOX

Western Truck Fab
 23285 Connecticut St
 Hayward CA 94545
 TEL: 510-785-9994
 FAX: 510-785-9986

VISIT OUR WEB PAGE
<http://www.westerntruckfab.com>
 e-mail: info@westerntruckfab.com